

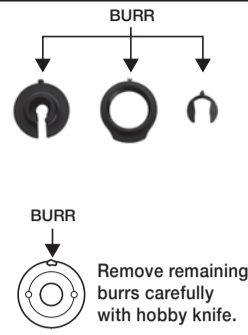
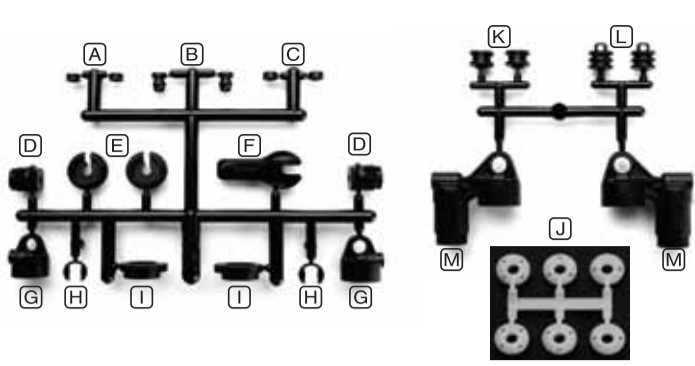


PIGGY-BACK SHOCK ASSEMBLY INSTRUCTIONS

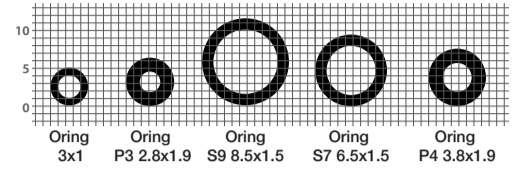


Made in Korea www.gmade.net

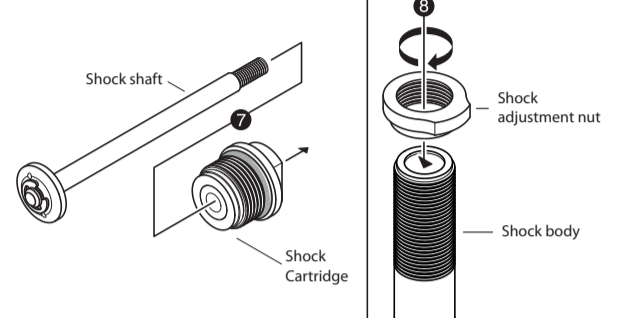
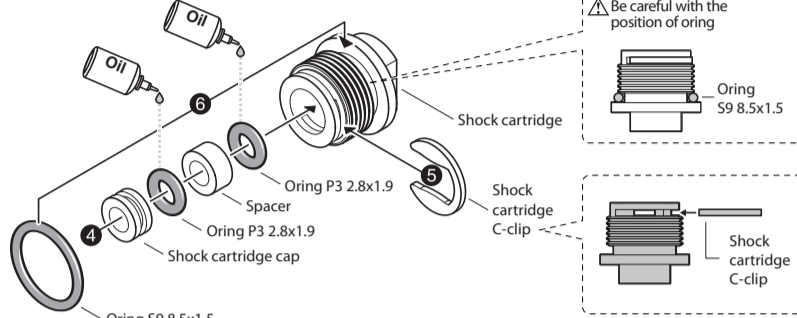
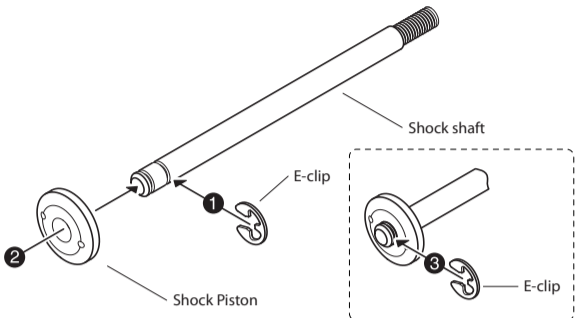
Step 1



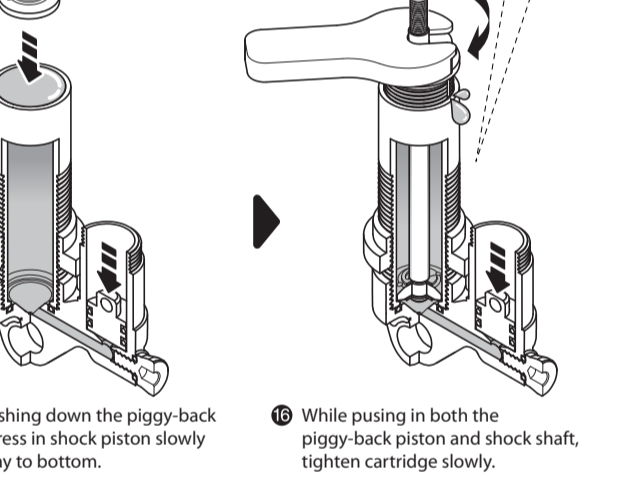
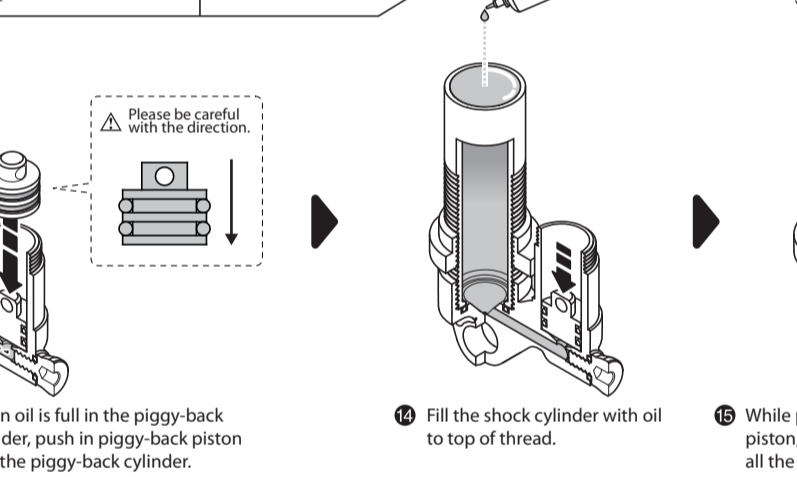
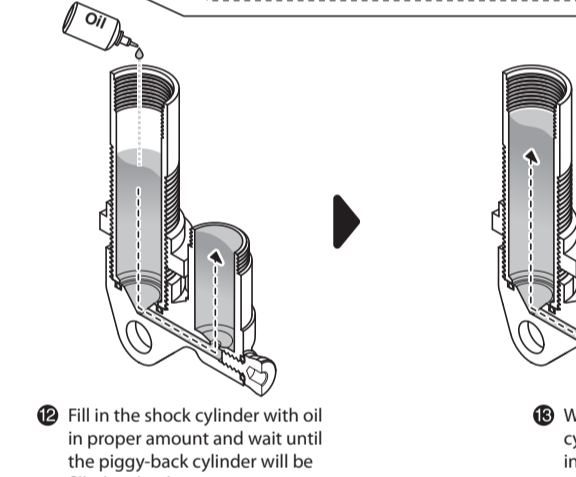
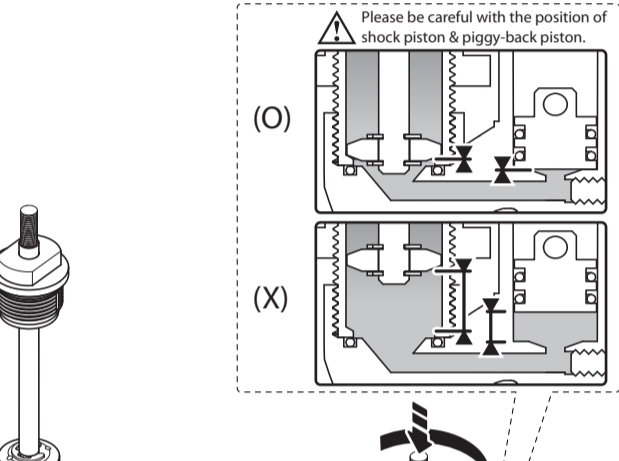
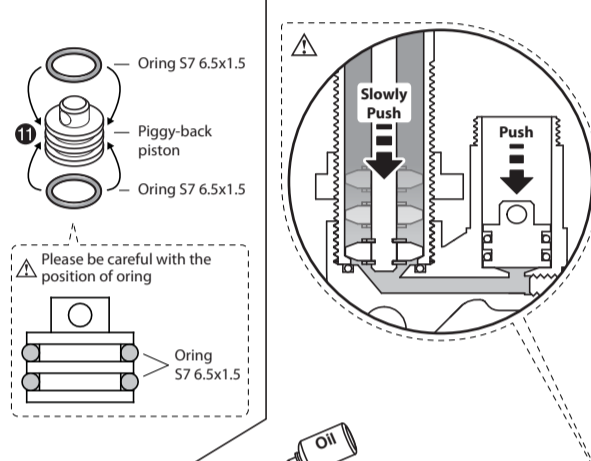
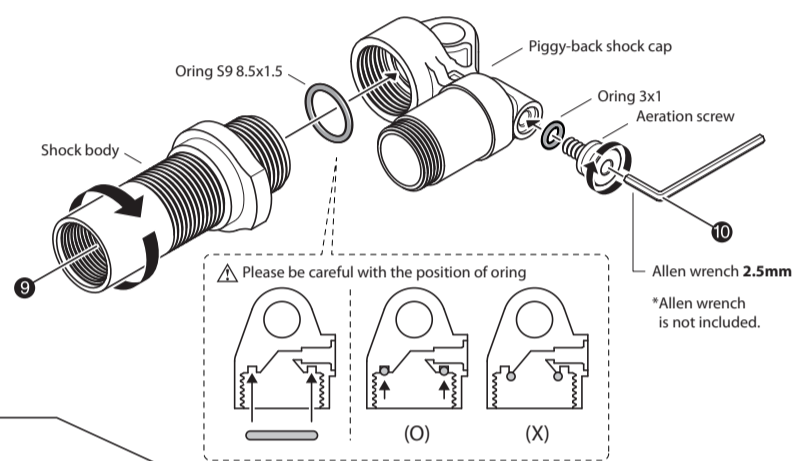
1:1 scale oring standard grid



Step 2



Step 3



12 Fill in the shock cylinder with oil in proper amount and wait until the piggy-back cylinder will be filled with oil.

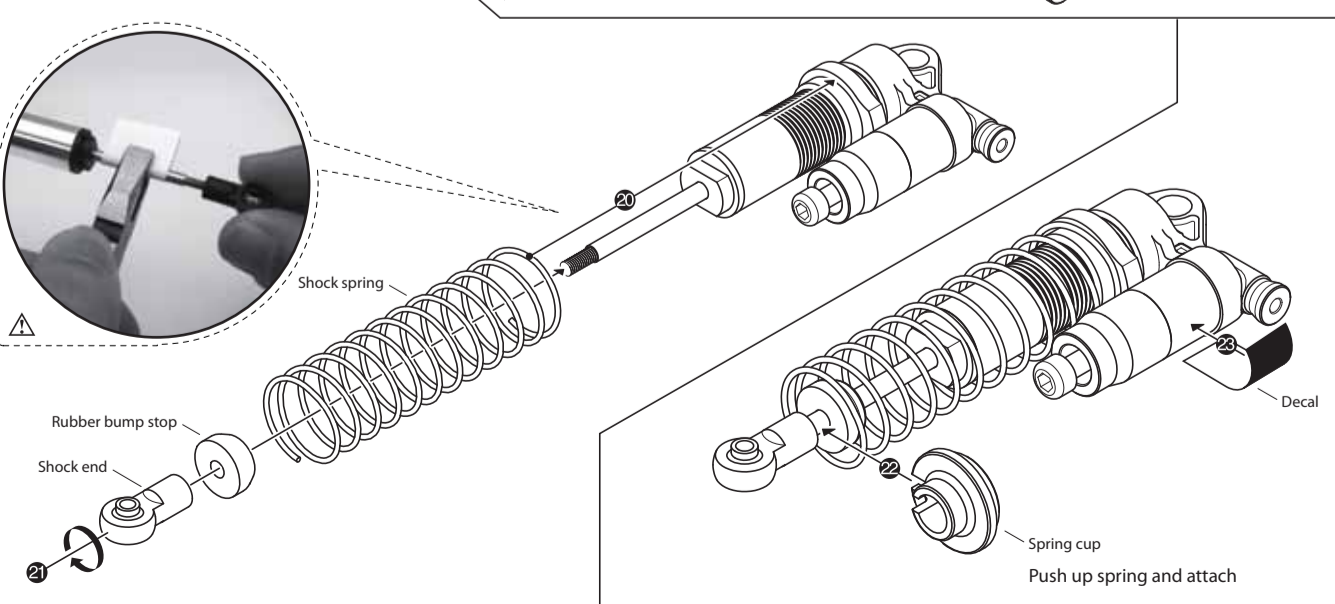
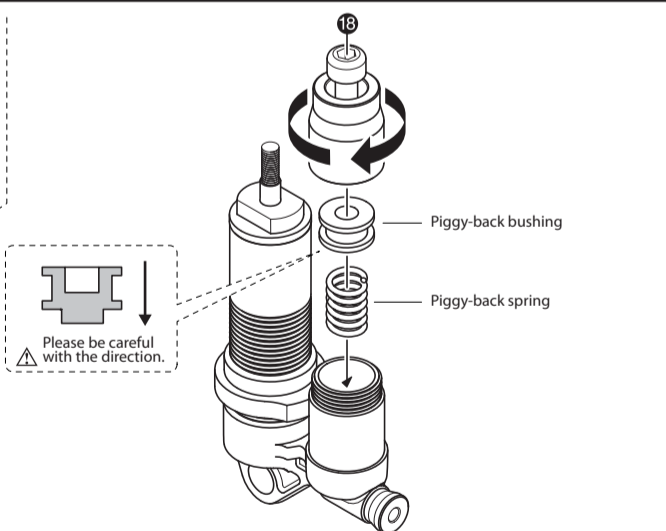
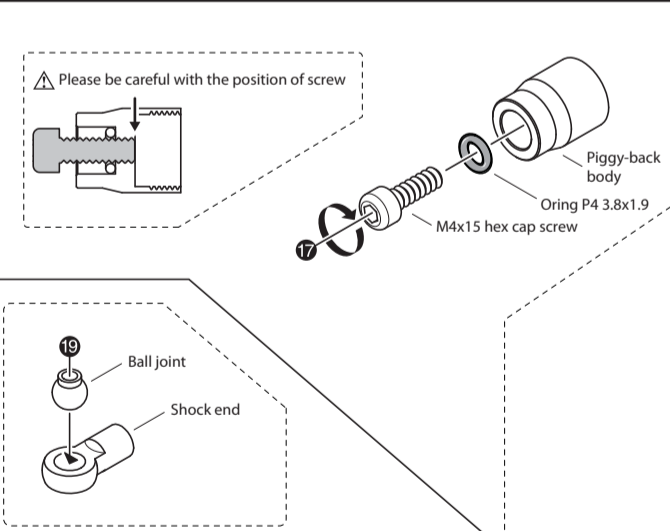
13 When oil is full in the piggy-back cylinder, push in piggy-back piston into the piggy-back cylinder.

14 Fill the shock cylinder with oil to top of thread.

15 While pushing down the piggy-back piston, press in shock piston slowly all the way to bottom.

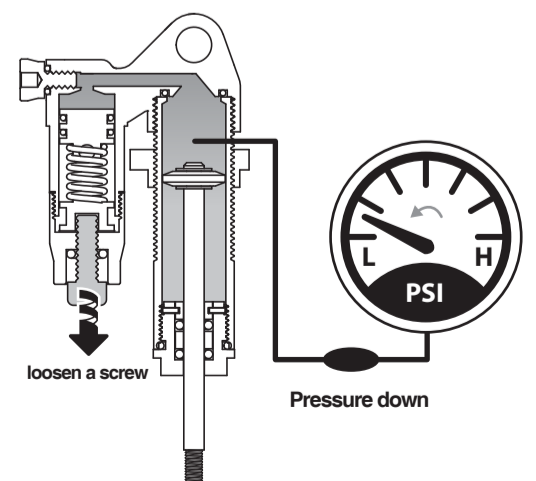
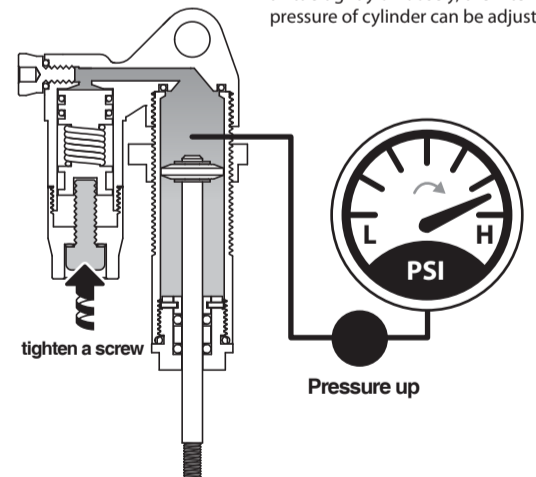
16 While pushing in both the piggy-back piston and shock shaft, tighten cartridge slowly.

Step 4



Piggy-back Pressure setting

By screwing the hex cap screw a little tightly or loosely, the internal pressure of cylinder can be adjusted.



For any inquiry or detailed assembly explanation, Please visit our Gmade website. Video manual www.gmade.net